

JP30/JP30L
30,000 lb Towing Capacity



With over 10 years of serving aviation the JP30 & JP30L are a proven workhorse for piston aircraft up to light corporate jets.

Standard Features:

- Smooth deceleration regenerative braking and an independent mechanical backup brake with hill hold button
- Two speed transaxle power transmission
- 6 Hp continuous duty motor
- Built in 12-24-28/30V power supply to assist starting aircraft engines
- GPU cable and plugs
- Battery charge indicator with hourmeter and diagnostics
- Built-In battery charger
- Dual battery pack - JP30L
- Automatic activated/deactivated parking brake
- Dynamic motor braking
- Emergency safety cut off switch
- Covered storage compartment with rubberized coating on aluminum diamond deck cover
- Rear facing lights and strobe light
- Headlights
- Front trailer hitch receiver
- Two speed manual winch
- Nylon strut strap
- Nylon winch strap
- Nylon wheel tie down strap
- Fire extinguisher
- Chip restraint
- Finish: Durable Powder Coat Tronair Blue

Optional Equipment:

- On-board air compressor
- Tire chains
- Aircraft adapters
- Slide in pintle hitch
- Custom colors and graphics

www.jetporter.com

1.800.426.6301

www.tronair.com

USA

Email: sales@tronair.com

Tel: 419-866-6301

Asia

Email: tronairasia@tronair.com

Tel: 662 2121463

Australia/New Zeland

Email: cjones@tronair.com

Tel: 61 2 4028 6981

China/Hong Kong/Macau/Taiwan

Email: nyao@tronair.com

Tel: 86 137 6450 1982

Europe

Email: jnunn@tronair.com

Tel: 44 (0) 11 332 0436

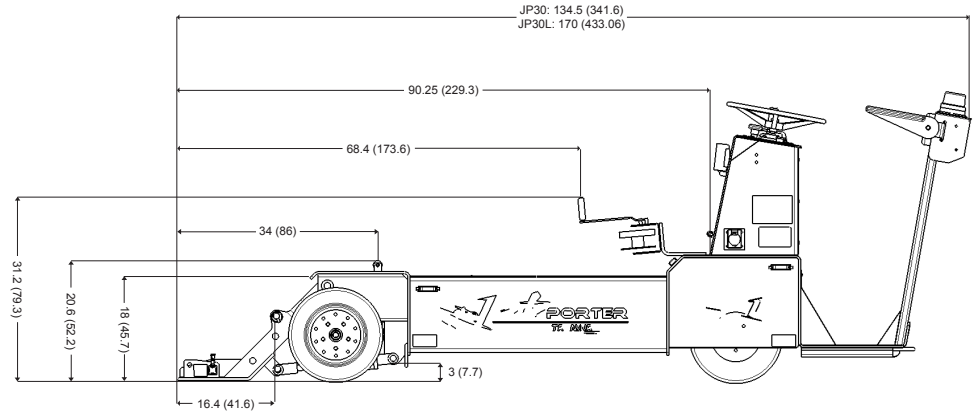
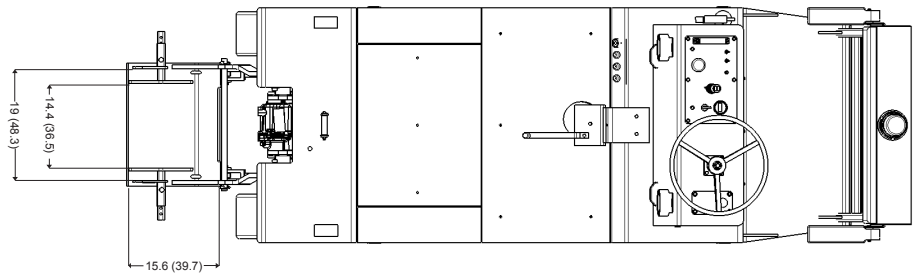
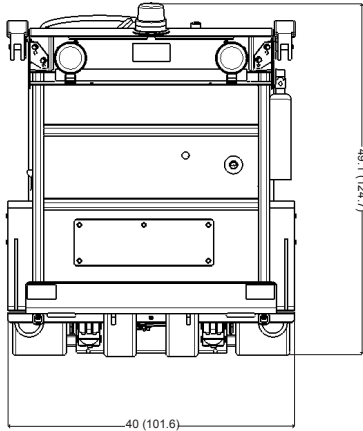
Middle East, Africa, CIS

Email: hkarvani@tronair.com

Tel: 44 (0) 11 332 0436

JP30/JP30L

30,000 lb Towing Capacity



	MODELS	JP30	JP30L
PERFORMANCE	Towing Capacity	30,000 lb (13,608 kg)	
	Cradle Capacity	3,000 lb (1,361 kg)	
	Empty Speed	10 mph (16 kph)	
	Full Load Speed	3 mph (4.8 kph)	
POWER	Motor Horsepower	6 HP	
	Motor Duty Cycle	Continuous	
	Battery Type	Eight - 6 volt deep cycle	Sixteen - 6 volt deep cycle
	Charge Time Full Discharge	8 hour average	
	Power Assist Voltage	12 - 14 / 24 - 28 / 28 - 30 volts	
	Power Cable Length	14 ft (4.3 m), adapters included	
	Built-In Automatic Charger	48V 25 amp DC, 120/230 VAC, 50 / 60 hz	48V 25 amp DC, 120/230 VAC, 50 / 60 hz
DIMENSIONS	Length	134.5 in (341.6 cm)	171 in (434.4 cm)
	Width	40 in (101.6 cm)	
	Height	49 in (124.5 cm)	
	Weight with Battery	2,450 lb (1,111 kg)	3,250 in (1,474 cm)
	Weight without Battery	1,870 lb (848 kg)	
	Ground Clearance	3 in (7.7 cm)	
	Deck Height	18 in (45.7 cm)	
	Cradle Depth	15.625 in (39.7 cm)	
	Cradle Width	19 in (48.3 cm)	
CHASSIS	Cradle Lift Height	6 in (15.2 cm)	
	Steering Tires	4.00 x 8 (16 in O.D.)	
	Drive Tires	6 x 8 (16 in O.D.)	
	Brakes	Dynamic motor braking	
	Parking Brake	Automatic activated/deactivated	

TA030116